



**HX GO KART**



# **USER MANUAL**

MOVING THE WORLD

# **CONGRATULATIONS ON YOUR NEW HX GO KART**

---

To make sure you have a safe and exciting ride, we've put together this user manual with all the essential safety information. Be sure to read it before your first ride and keep it handy for future reference.

This user manual will guide you through everything you need to know, from assembling your HX go kart, to understanding its technical specifications and warranty details. With our easy to follow instructions, you'll soon transform your hoverboard ride into an exhilarating go kart adventure.

## **For any questions or support, contact us at:**

Goglobal Solutions Pty Ltd  
7/74-80 Melverton Drive  
Hallam, Victoria, 3803

1300 309 900  
+61 3 8609 2210  
support@hoverx.com.au  
www.hoverx.com.au

# CONTENTS

---

Safety and warnings	3
Know your HX go kart	6
Assembly parts	6
Assembling your HX go kart	7
Riding your HX go kart	9
Maintaining your HX go kart	10
Technical specifications	10
Warranty	11
Contact us	13

# SAFETY AND WARNINGS

---

Riding the HX go kart comes with inherent risks. By choosing to ride the HX go kart, you're accepting responsibility for these risks. It's crucial to follow the safety guidelines and maintenance tips provided to minimize the chance of injury.

While this user manual offers essential safety information, it cannot cover every possible riding scenario or condition. There are unpredictable risks associated with any go kart and managing these risks is entirely up to the rider.

**MAXIMUM RIDER WEIGHT 120KG**

**MAXIMUM SPEED 15 KM/H**

**CHILDREN UNDER THE AGE OF 7 SHOULD NOT USE THIS PRODUCT  
ADULT SUPERVISION IS REQUIRED**

As a parent or guardian, it's your responsibility to oversee the safety and activities of your child while they use the HX go kart. Ensure that the HX go kart is well maintained and in safe working order and that your child knows how to use it properly. Always have your child wear appropriate protective gear including a helmet and wrist guards. For children aged 7 and over, adult supervision is required.

- 1.** Children below the age of 14 should always be accompanied by an adult or guardian when using the HX go kart.
- 2.** Children or persons who do not meet the minimum weight limit of 20 kg and maximum weight limit of 120 kg should not use the HX go kart.
- 3.** The HX go kart is a recreational product. Individuals without prior experience and/or possess poor physical coordination and adaptability will require time to learn how to use the HX go kart. You are strongly advised to exercise extra care when learning to use the HX go kart. Neither Optimum Appliances Pty Ltd nor Hover X Pty Ltd nor Goglobal Solutions Pty Ltd is responsible for any injuries or damage caused by a rider's inexperience or failure to follow the instructions in this document.
- 4.** Read all instructions in this user manual carefully before using the HX go kart and adhere to all safety measures and user guidelines to avoid injury or damage to property. The HX go kart should not cause damage or injury to the user due to loss of control, fall or collision. To avoid damage or injury, ensure you read and follow all instructions in this manual carefully. Please understand that you can reduce the risk by following all the instructions and warnings in this user manual, but you cannot eliminate all the risks. Remember that whenever you ride the HX go kart you risk injury or death from loss of control, collisions and falls.

# SAFETY AND WARNINGS

---

5. When entering into public spaces always comply with the local laws and regulations. As with other vehicles, faster speeds require longer braking distance. Sudden braking on smooth surfaces could lead to wheel slip, loss of balance, or falls. Be cautious and always keep a safe distance between you and other people or vehicles when riding. Be alert and slow down when entering unfamiliar areas.
6. Do not attempt your first ride in any area where you might encounter children, pedestrians, pets, vehicles, bicycles, or other obstacles and potential hazards.
7. Respect pedestrians by always yielding the right of way. Pass on the right whenever possible. When approaching a pedestrian from the front, stay to the left and slow down. Avoid startling pedestrians. When approaching from behind, announce yourself and slow down to walking speed when passing. Please obey local traffic laws and regulations if the situation is different.
8. In places without laws and regulations governing self-balancing electric vehicles, comply with the safety guidelines outlined in this user manual. Neither Optimum Appliances Pty Ltd nor Hover X Pty Ltd nor Goglobal Solutions Pty Ltd is responsible for any property damage, personal injury, deaths, accidents, or legal disputes caused by violations of the safety instructions.
9. Do not use the HX go kart for activities which could cause injury or damage to others or their property.
10. Do not allow anyone to ride your HX go kart on their own unless they have carefully read this user manual. The safety of new riders is your responsibility. Assist new riders until they are comfortable with the basic operation of the HX go kart, make sure each new rider wears a helmet and other protective gear.
11. Before each ride check for damaged components. If the HX go kart makes abnormal sounds, immediately stop riding. Please contact the authorised Service Centre for repair or servicing immediately.
12. Be alert. Scan both far ahead and in front of your HX go kart – your eyes are your best tools for safely avoiding obstacles and low traction surfaces including, but not limited to, wet ground, loose sand, loose gravel and ice.
13. Children are prohibited to clean and repair the HX go kart without parental guidance.
14. Do not change the HX go kart parts, this could affect performance or cause serious damage to the HX go kart. This could also result in serious injury and or damage, and could void the limited warranty.
15. To reduce risk of injury, you must read and follow all information in this document. Do not ride at an unsafe speed. Under no circumstance should you ride on roads with motor vehicles.

# SAFETY AND WARNINGS

---

The manufacturer recommends riders should be over 7 years old. Ensure every safety measure is taken when using the HX go kart. This includes:

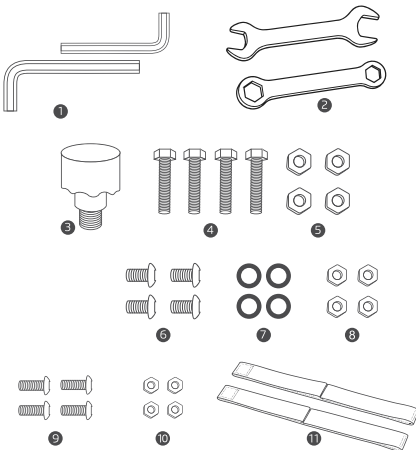
- Wearing suitable sportswear, knee guard, elbow guard, helmet (use an approved bicycle or skateboard helmet that fits properly with the chin strap in place and provides protection for the back of your head when using the HX go kart;
  - Relaxing your legs and bending your knees slightly, keeping your feet on the feet support bars while riding.
  - Only allowing one rider on the HX go kart at any one time;
  - Prohibiting children, the elderly and pregnant woman to use the HX go kart;
  - Riders under the age of 14 years old should ride under adult supervision.
  - Prohibiting children and persons who do not meet the weight limit (20kg-120kg) from using the HX go kart;
  - Prohibiting the use of the HX go kart under the influence of alcohol or drugs;
  - Anyone who suffers from disease that puts them at risk if they engage in strenuous physical activity should not ride the HX go kart;
  - Anyone who has problems with balance or with motor skills that would interfere with their ability to maintain balance should not ride the HX go kart;
  - Ensuring you are free from distractions when using the HX go kart, such as using a mobile phone, listening to music through earphone, etc;
  - Paying close attention to the road conditions when riding the HX go kart, avoid extremely steep or undesirable roads and obstacles (i.e. roads exceeding the height limit, filled with sand, stones, soil, wet floors, snowfields, icy grounds, etc.);
  - Not using the HX go kart on slopes of more than 15° or in dimly lit or dark places;
  - Do not accelerate or decelerate suddenly. Do not accelerate when the HX go kart tilts back. Do not attempt to go above 15km/h;
  - Not using the HX go kart under unsafe circumstances, such as dangerous places in the vicinity of flammable gases, steam, liquid, dust or fiber, etc;
  - To ride safely, you must be able to clearly see what is in front of you and you must be clearly visible to others;
  - Not using the HX go kart on public transportation, the HX go kart is meant for personal use only;
  - Not accelerating at high speeds when the hoverboard alarm is sounded;
  - Comply with local law and regulations when riding this product. Do not ride where prohibited by local laws.
- 16.** Do not attempt to ride your HX go kart in heavy rain.
- 17.** Do not sit on the handles or feet support bars. Doing so could result in serious injury and or damage to your HX go kart.

# KNOW YOUR HX GO KART



1. Front go kart wheel	4. Main support frame
2. Seat	5. Control handles
3. Frame extender with foot bars	6. Velcro straps

# ASSEMBLY PARTS



1. Allen key
2. Spanner
3. Length adjustment knob
4. Long screw
5. Long screw nut
6. Thick screw
7. Thick screw washer
8. Thick screw nut
9. Short screw
10. Short screw nut
11. Velcro Straps

# ASSEMBLING YOUR HX GO KART

---

**Step 1** – Open the box and check all parts are included.

**Step 2** – Secure the front wheel to the end of the frame extender using the thick screws, washers and nuts. Tighten them with the allen key and spanner.



**Step 3** – Slide the frame extender into the main support frame and secure it in place with the length adjustment knob.



**Step 4** – Secure the suspension and both control handles to the main support frame using the long screws and nuts. Use the allen key and spanner to tighten them in place.



# ASSEMBLING YOUR HX GO KART

---

**Step 5** – Attach the seat to the seat plate of the main support frame using the short screws and nuts. Tighten them with the allen key and spanner.



**Step 6** – Adjust the brackets on each side of the main support frame so they align with the hoverboard.



**Step 7** – Secure the velcro straps to the main support frame brackets, then fasten the HX go kart to the hoverboard.

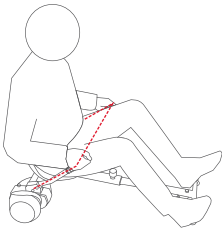


# RIDING YOUR HX GO KART

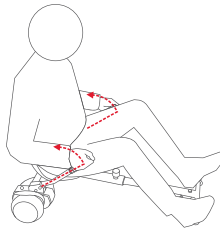
---

**Get ready to experience an exciting new way to ride.** To start riding, sit comfortably in the seat and keep both handles in the horizontal position. Press the power button on your hoverboard to activate your hoverboard.

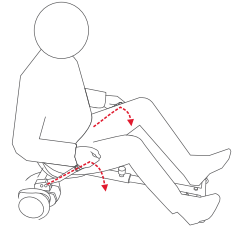
Follow these steps to learn how to move forward, reverse and make turns left and right. **Then enjoy your ride.**



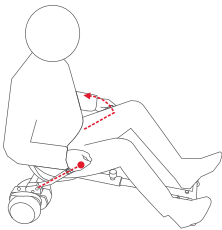
**Stop** – To stop, keep both handles in a horizontal position.



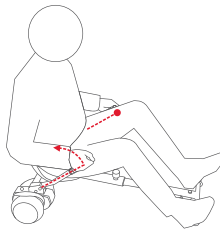
**Backwards** – To go backwards, lift both handles.



**Forward** – To move forward, press both handles down.



**Turn left** – To turn left, lift the left handle while keeping the right handle in place.



**Turn right** – To turn right, lift the right handle while keeping the left handle stationary.

# MAINTAINING YOUR HX GO KART

---

Performing regular checks will extend the life of your HX go kart. We recommend inspecting your HX go kart carefully before each ride to make sure there are no loose, damaged or worn parts. All nuts and bolts should be securely tightened. Most HX go kart parts are designed to be easily replaced if needed.

- Wipe down your HX go kart with a damp cloth regularly. Avoid using harsh chemicals that could damage the parts.
- Dry the HX go kart when wet to prevent damage and maintain its condition.
- Store the HX go kart in a dry, sheltered area to protect it from the elements.
- Avoid storing the HX go kart outdoors or in direct sunlight for extended periods of time to prevent damage.

**If you have any maintenance questions, contact us at [support@hoverx.com.au](mailto:support@hoverx.com.au).**

## TECHNICAL SPECIFICATIONS

---

**Compatibility:** Fits 6.5, 8, 8.5 and 10 inch hoverboards

**Frame length:** Adjustable from 71.8 cm to 85 cm

**Max load:** 120 kg

**Max speed:** 15 km/h

**Safety control:** Full control handle steering

**Wheel:** 360° swivel wheel

**Handle:** Soft sweat absorbent sponge handles

**Seat:** Reinforced large ergonomic seat

**Net weight:** 8 kg

**Gross weight:** 10 kg

**Package dimension:** 51 cm x 44 cm x 29.5 cm

# WARRANTY

---

This warranty as outlined below solely covers distributors of the HX® range of products. Please contact your distributor for full product warranty details.

Effective as of 1 January 2014.

1. HX® warrants this product to be free from defects in materials and workmanship and to perform satisfactorily under personal use for a period of 1 year from the date of purchase when used in accordance with the accompanying instructions.
2. Any warranties exceeding this standard period are offered as extended terms by the seller distributor and claimable only through that provider.
3. Defects that occur within this manufacturers warranty period, under normal use and care will be repaired or replaced at our discretion only if the selling distributor is unable to do so. This is done solely at our option with no charge for parts. This warranty does not extend to accessories included or purchased separately. Replacements can be offered for major faults as determined by your distributor at their own discretion.
4. In the event that the goods requiring repair are under warranty, and this distributor is unable to provide the repairs, the customer is responsible for the cost of the return of the product to HX® (or their approved service provider) and also the cost of the return to the customer.
5. Whilst in transit, the goods are at the owner's risk and any further damage during this transportation is not covered under warranty.
6. Customers should ensure that the product being returned is properly packaged so as to ensure that no damage occurs to the product during transit. To be able to process the warranty claim, ensure you have included an explanation of any problem: HX® will not fault find and will only repair described faults as covered under warranty.
7. This full warranty is void if this product has been subjected to abuse, negligence, accident, alteration, failure to follow operating instructions, or the product has been exposed to abnormal or extreme conditions.
8. Cosmetic changes that do not affect performance, such as discoloration of parts of the product in the hands of the user or the effects of the use or abrasive cleaners will not be warranted or considered defects. The cleaning or removal of dirt and debris along with any damage caused by allowing them to build up is not covered by this full warranty.
9. This warranty does not cover normal wear and tear of the product or parts.

# WARRANTY

---

10. This warranty does not cover any defect caused by an accident, misuse, abuse, improper installation or operation, lack of reasonable care, unauthorized modification, loss of parts, tampering or attempted repair by a person not authorized by HX®.
11. The warranty will not apply if damage, malfunction or failure resulting from alterations, accident, misuse, abuse, fire, liquid, spillage, maladjustment of customer controls, use on an incorrect voltage, power surges and dips, thunderstorm activity, acts of God, voltage supply problems, tampering or unauthorized repairs by any person, use of defective or incompatible accessories, exposure to abnormally corrosive conditions or entry by any insect, vermin or foreign object in the product.
12. You must keep your purchase order or receipt as proof of purchase and as proof of the date on which the purchase was made. The purchase order or receipt must be presented when making a claim under this warranty. In the event the receipt of purchase is not presented, then this warranty is invalid. Consumer Law allows us to request reasonable proof of purchase to service a warranty claim.
13. This warranty does not imply, intend to or detract any consumer rights listed in and able to be enforced from Regulated Consumer Law, any condition which is found to be in breach of the consumer law, the single condition shall be void only and all other conditions remain in place.

# CONTACT US

---

**Goglobal Solutions Pty Ltd**  
**7/74-80 Melverton Drive**  
**Hallam, Victoria, 3803**

**1300 309 900**

**+61 3 8609 2210**

**support@hoverx.com.au**

**www.hoverx.com.au**

